

[Socrates](#)  
[Orion Videos](#)  
[Orion Facebook](#)  
[uaw5960.org](#)



May 26, 2023

# DIGITAL DATELINE

“BUILD IT LIKE WE OWN IT”



**MOVIN’ IN:** The pictures shown represent another milestone of our BET (Battery Electric Truck) project. Trucks coming this week will be full of Body Shop equipment, automation, and conveyance. Body Shop alone will be receiving a minimum of 10 truck loads daily, every day for more than the next year. **GO ORION!!**

Members of the **Body Shop Core Team, Engineering and UAW Safety** were on-site to welcome the first addition of equipment to the new body shop.



**GM ORION ASSEMBLY AND UAW LOCAL 5960 PROUDLY SUPPORT THE UNCF WALK FOR EDUCATION**



Scan the QR Code, Joint the team Donate today!



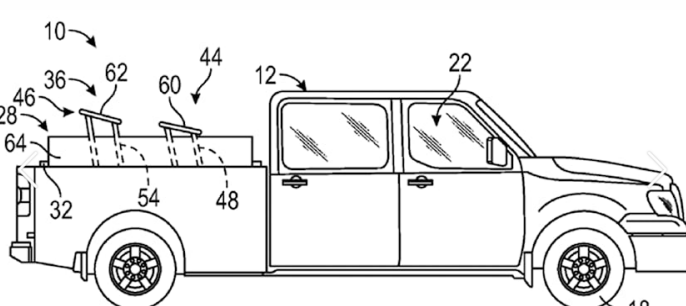
Save the Date **August 19, 2023**

**REGISTER ONLINE**  
 SUPPORTING HBCUS AND STUDENTS IN NEED LEARN MORE  
[UNCF.org/DetroitWalk](https://www.uncf.org/DetroitWalk)

**BELLE ISLE CASINO (STATE PARK RECREATION PASSPORT REQUIRED)**  
 REGISTRATION, 8 A.M. | WALK, 9, A.M.

**FOR MORE INFORMATION, CONTACT:**  
 Patrice Neal at [Patrice.Neal@UNCF.org](mailto:Patrice.Neal@UNCF.org)

**Orion UNCF Committee**  
 Jim Quick  
 Ken Lasley  
 Greg Harden  
 Shanika Hurst  
 Maddie Keller



## GM DEVELOPS DEPLOYABLE DRAG REDUCTION SYSTEM FOR TOWING

Source: Karl Furlong - [carbuzz.com](https://www.carbuzz.com)

**We need your support to sustain a great energy shutdown during the shutdown period, May 27-29**

### SHUTDOWN CHECKLIST FOR SUCCESS

- Turn-off Desk Lights and Conference Room Lighting.
- Turn-off Machine Lights and other Task Lights.
- Turn-off Exhaust Fans & Personal Fans.
- Keep all Doors Closed.
- Turn-off Office Air Conditioners & all coffee pots.
- Shutdown all Process Equip. Using Provided shutdown procedures (As Authorized).
- Shutdown all office equipment: *Desktop PCs (not workstations) & PC Monitors, Printers, Plotters, Copy Machines, etc.*

**Have a Safe & Enjoyable Time Off!**

**9th Annual!**

# BLESSING OF THE BIKES

SUNDAY, JUNE 4TH, 2023  
 ASSEMBLE: 10-11AM  
 BLESSING: NOON SHARP

UAW Region 1  
 Pavillion  
 27800 George Merrelli Dr.  
 Warren, MI 48092

LOTTO TREE

FISH FRY!

All denominations welcome!

HAMBURGERS

Presented By:  
**UAW Region 1 Director LaShawn English,  
 Assistant Director Ray Pecoraro,  
 and the Solidarity Riders**

Dive into our list of must-haves for Memorial Day. You'll be surprised to know so many of your favorites are also UNION-MADE! When you buy union-made products, you're supporting your fellow union members and keeping good-paying, union-jobs in America. Cheers to that!

## Buy union-made this Memorial Day

